



Model Number

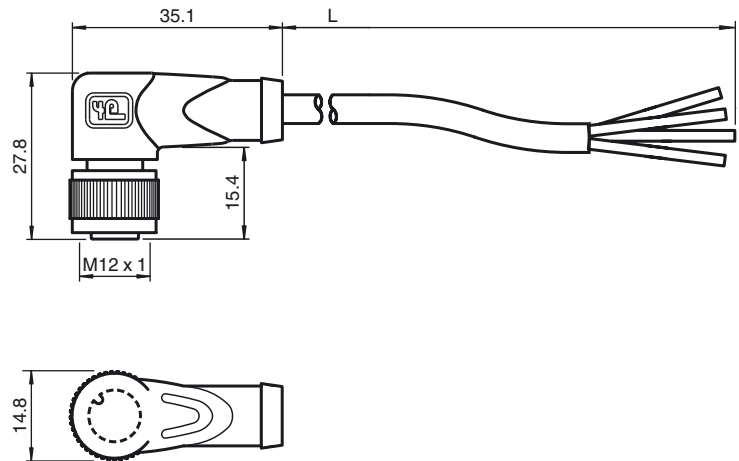
V1-W-BK20M-PVC-U

Female cordset, M12, 4-pin, PVC cable

Features

- UL Recognized Component
- Improved UV resistance
- Knurled nut suitable for tool assembly
- Immunity to vibration, with mechanical latching
- Degree of protection IP67 / IP68 / IP69K
- Gold plated contacts

Dimensions



Technical data

General specifications

Number of pins	4
Connection 1	socket
Construction type 1	right angle
Threading 1	M12
Connection 2	cable end
UL File Number	E231213

Electrical specifications

Operating voltage	U_B	max. 250 V AC/DC
Operating current	I_B	max. 4 A
Volume resistance		< 5 m Ω

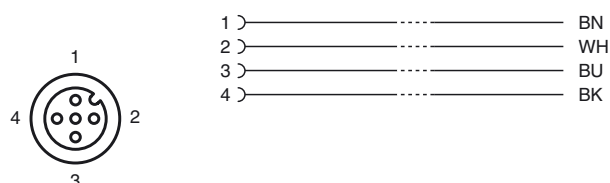
Ambient conditions

Ambient temperature	Body: -40 ... 90 °C (-40 ... 194 °F) cable, flexing: -5 ... 80 °C (23 ... 176 °F) cable, fixed: -25 ... 80 °C (-13 ... 176 °F)
Pollution degree	3

Mechanical specifications

Contact elements	spring-loaded contact socket
Degree of protection	IP67 / IP68 / IP69k
Material	
Contacts	CuSn / Au
Contact surface	Au
Body	TPU, black
Cable	PVC, improved UV resistance
Slotted nut	Diecast zinc
Core insulation	PVC
Cable	according to IEC/EN 60228 (DIN VDE 0295) class 5
Sheath diameter	\varnothing 4.3 mm
Bending radius	> 15 x cable diameter, moving > 5 x cable diameter, fixed
Color	black
Number of cores	4
Core cross-section	0.34 mm ²
Cores color	Core 1: brown Core 2: white Core 3: blue Core 4: black
Conductor construction	19 x 0.15 mm \varnothing
Length	L 20 m
Flammability	
Contact carrier	HB
Housing	V-2
Cable	FT1

Electrical connection





Compliance with standards and directives

Standard conformity	
Degree of protection	EN 60529
Flammability	Body: UL 94 Line: UL 1581 Section 1061; IEC 60332-1-2:2004
Specification	connector M12 x 1 : IEC 61076-2-101

Release date: 2019-10-08 15:27 Date of issue: 2019-10-08 239999-100022_eng.xml